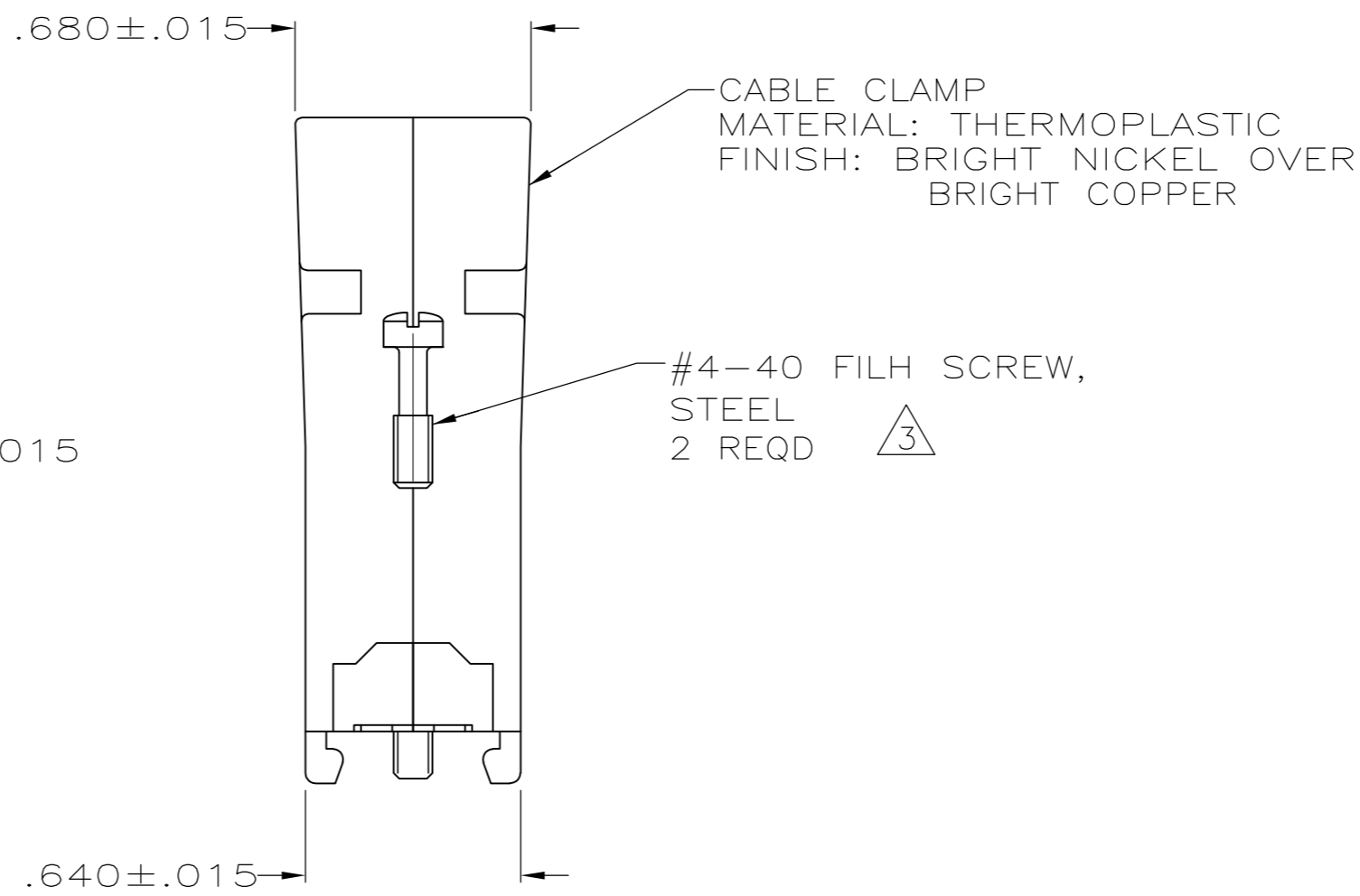
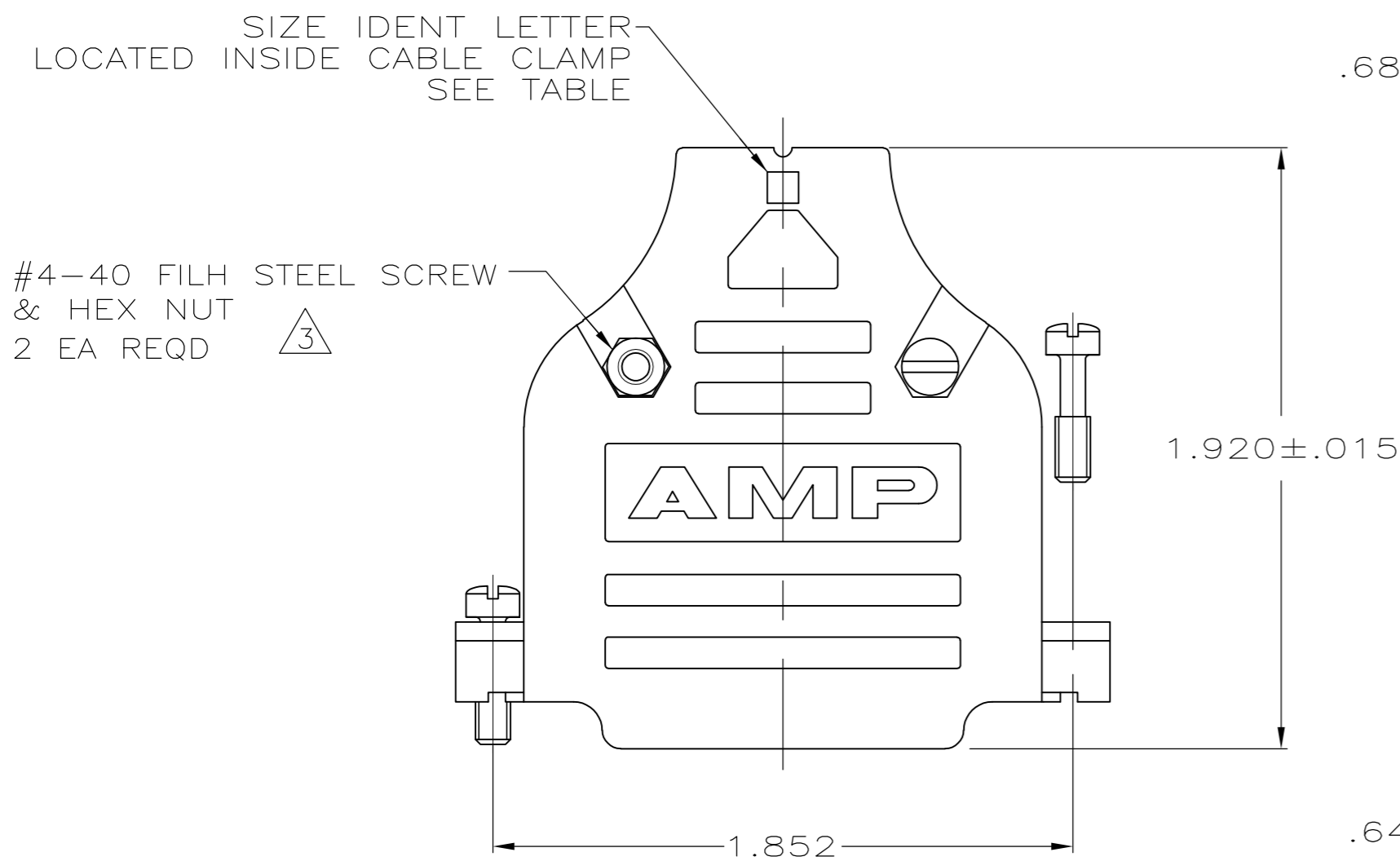
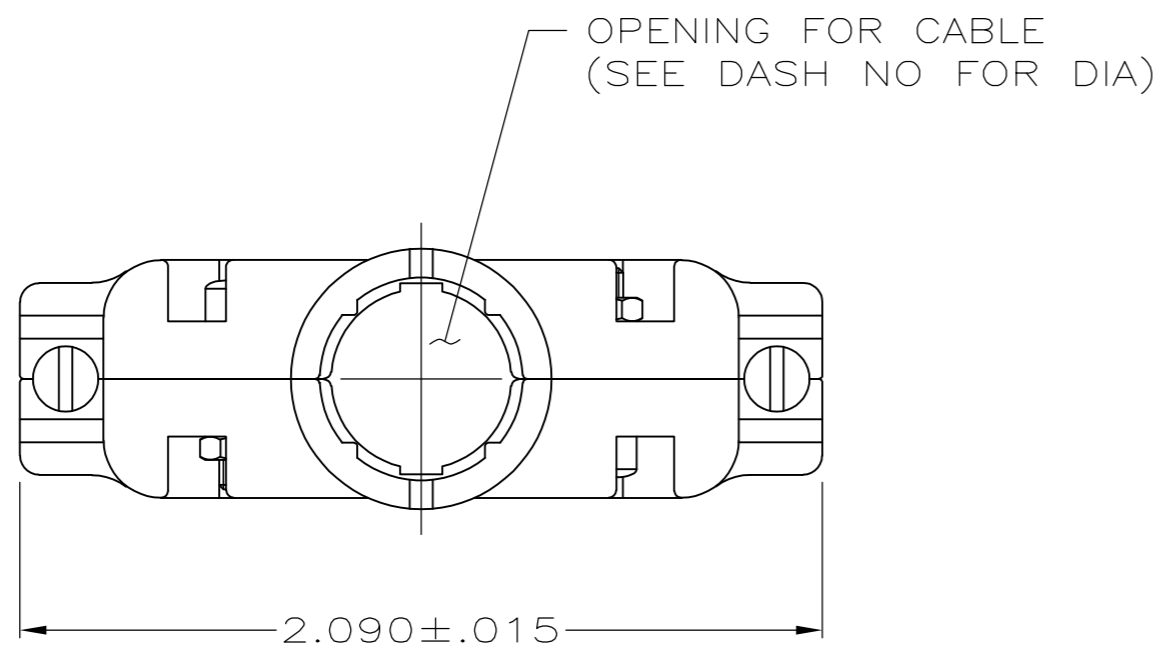


THIS DRAWING IS UNPUBLISHED. RELEASED FOR PUBLICATION  
 © COPYRIGHT - By - ALL RIGHTS RESERVED.

LOC	DIST	REVISIONS			
P	LTR	DESCRIPTION	DATE	DWN	APVD
GP	00				
	A1	REVISED PER ECO-11-004835	11MAR11	RK	HMR



1. ALL PARTS PACKAGED UNASSEMBLED.
  2. THIS KIT CONSISTS OF 2 STRAIN RELIEF HALVES, 2 #4-40 SCREWS, 2 #4-40 NUTS & 2 #4-40 MOUNTING SCREWS.
- △ ZINC PLATED .000200-.000400 THICK, CLEAR CHROMATE COATING.

	D	.280	5745833-9
	G	.350	5745833-7
	K	.430	5745833-5
OBSOLETE	M	.480	5745833-3
	P	.530	5745833-1
	SIZE IDENT LETTER	CABLE DIA	PART NO.

**COPYRIGHT 2005  
 TE CONNECTIVITY CORP  
 ALL RIGHTS RESERVED**

THIS DRAWING IS A CONTROLLED DOCUMENT.		DWN	D. HENNY	8-13-05		TE Connectivity			
DIMENSIONS: INCHES		CHK	C. ROHDE	8-13-05		CABLE CLAMP KIT, SIZE 3, 25 POSN, 180 DEG, AMPLIMITE SERIES, PLATED PLASTIC			
TOLERANCES UNLESS OTHERWISE SPECIFIED:		APVD	M. WALMSLEY	8-13-05		SIZE	CAGE CODE	DRAWING NO	RESTRICTED TO
0 PLC ± - 1 PLC ± - 2 PLC ± - 3 PLC ± .005 4 PLC ± - ANGLES ± -		PRODUCT SPEC	-			A2	00779	C=5745833	-
MATERIAL SEE CALLOUTS		FINISH	SEE CALLOUTS		WEIGHT	-		SCALE 1:1	
CUSTOMER DRAWING					SHEET	1 OF 1		REV A1	